



2500

i		T2 [Nm]						n1 max	T2 max	pt
L	1/...	n2*h						[min]	[Nm]	[KW]
		10000	25000	50000	100000	500000	1000000			
		(10)4	(2.5*10)4	(5*10)4	(10)5	(5*10)5	(10)6			
L1	4	29700	27600	25000	22500	19300	15600	1000	35500	35
	4.71	26000	23000	20000	18600	17000	15400			
	5.85	20000	16500	14650	14000	12600	12100			
L2	17.2	29700	27600	25000	22500	19300	15600	1400	35500	20
	20.25	26000	23000	20000	18600	17000	15400			
	21.88	29700	27600	25000	22500	19300	15600			
	25.68	29700	27600	25000	22500	19300	15600			
	31.6	29700	27600	25000	22500	19300	15600			
	37.21	26000	23000	20000	18600	17000	15400			
	46.22	20000	16500	14650	14000	12600	12100			
	58.48	29700	27600	25000	22500	19300	15600			
L3	68.80	29700	27600	25000	22500	19300	15600	1400	35500	15
	81.01	26000	23000	20000	18600	17000	15400			
	86.00	29700	27600	25000	22500	19300	15600			
	99.76	29700	27600	25000	22500	19300	15600			
	101.27	26000	23000	20000	18600	17000	15400			
	102.72	29700	27600	25000	22500	19300	15600			
	109.40	29700	27600	25000	22500	19300	15600			
	117.47	26000	23000	20000	18600	17000	15400			
	120.40	29700	27600	25000	22500	19300	15600			
	126.90	29700	27600	25000	22500	19300	15600			
	128.40	29700	27600	25000	22500	19300	15600			
	141.77	26000	23000	20000	18600	17000	15400			
	148.94	29700	27600	25000	22500	19300	15600			
	153.16	29700	27600	25000	22500	19300	15600			
	160.00	20000	16500	14650	14000	12600	12100			
	176.09	20000	16500	14650	14000	12600	12100			
	179.76	29700	27600	25000	22500	19300	15600			
	185.60	20000	16500	14650	14000	12600	12100			
	186.05	26000	23000	20000	18600	17000	15400			
	211.67	26000	23000	20000	18600	17000	15400			
217.83	20000	16500	14650	14000	12600	12100				
224.00	20000	16500	14650	14000	12600	12100				
260.46	26000	23000	20000	18600	17000	15400				
262.90	20000	16500	14650	14000	12600	12100				
268.05	20000	16500	14650	14000	12600	12100				
323.51	20000	16500	14650	14000	12600	12100				

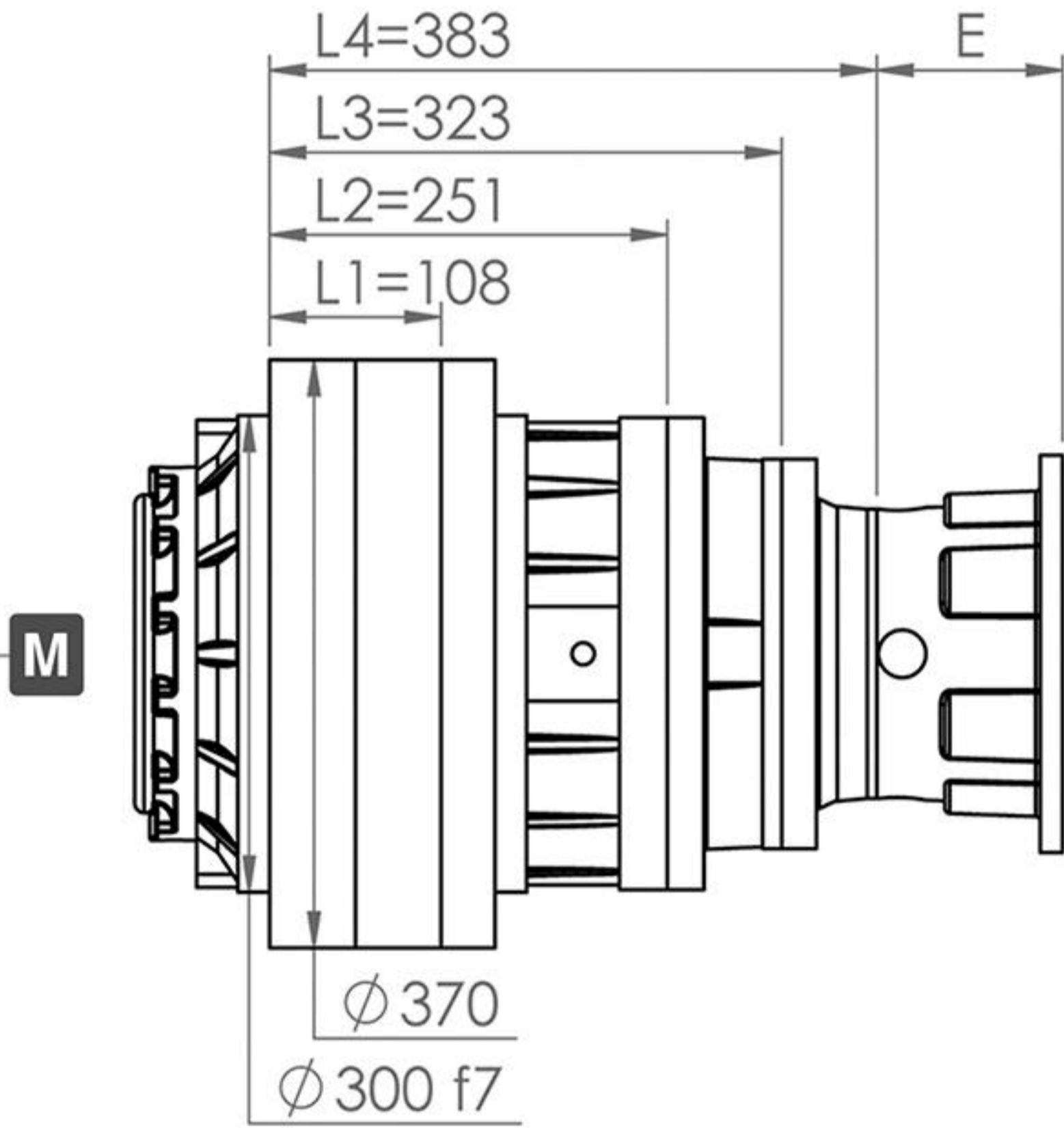


2500

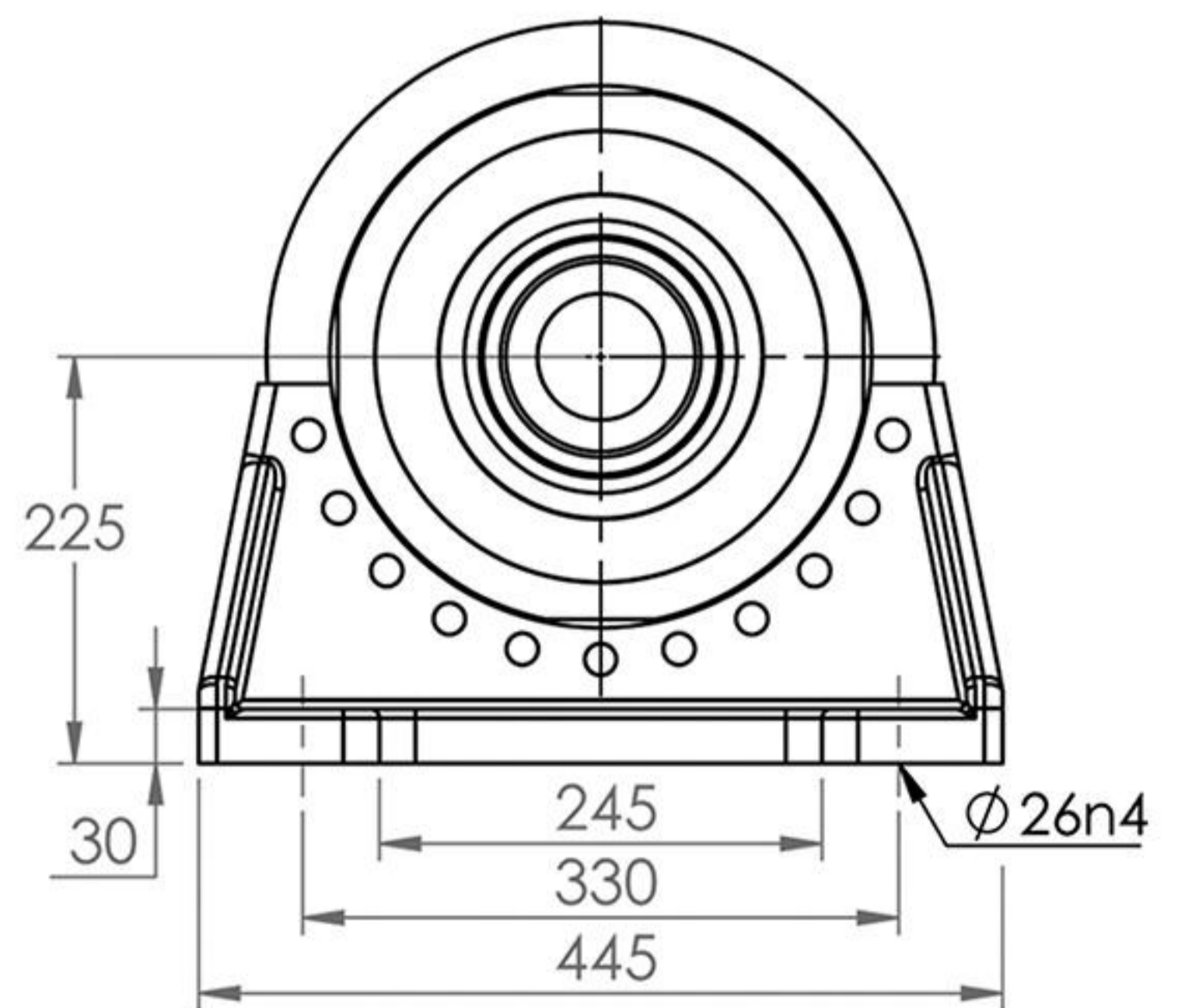
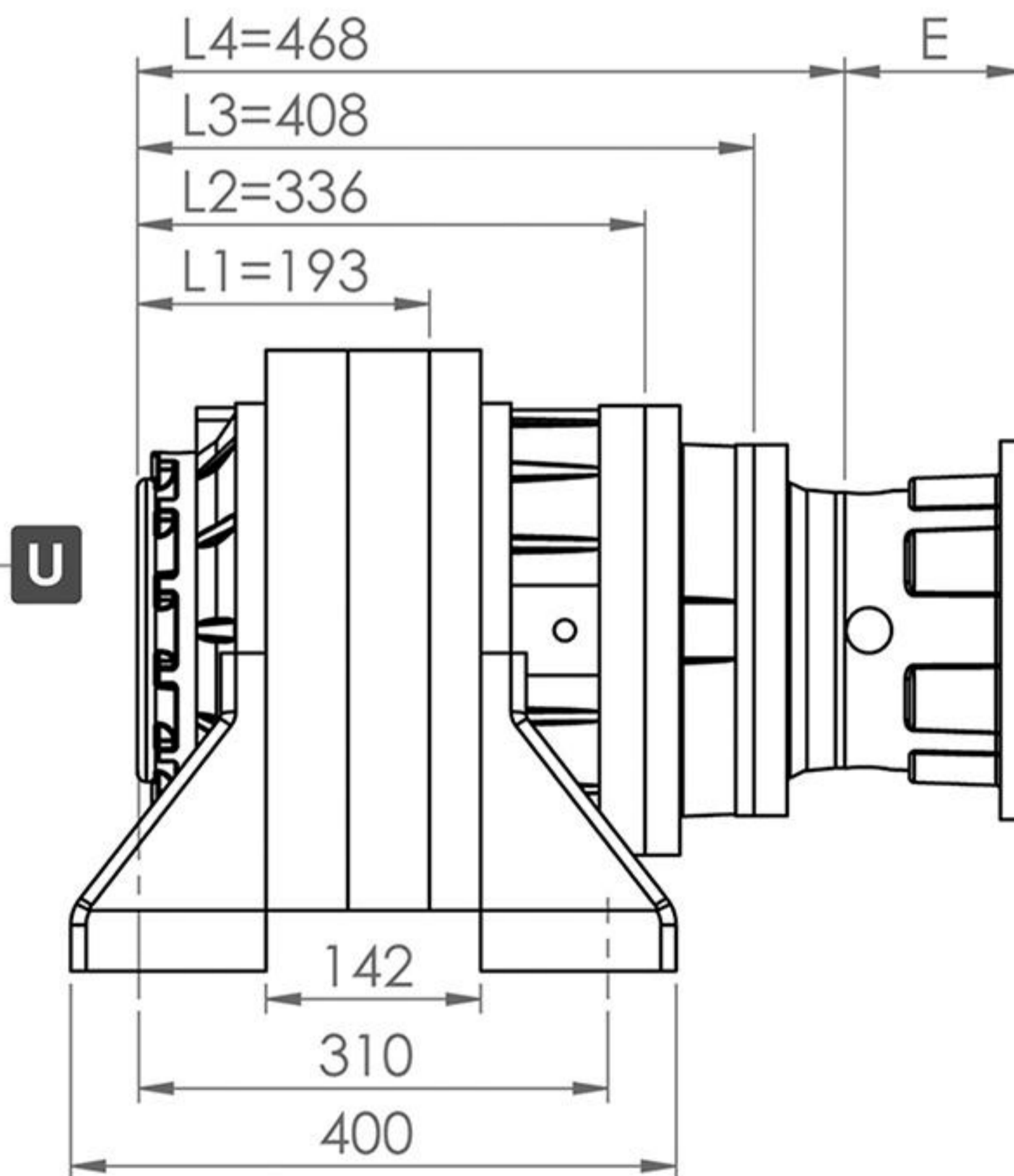
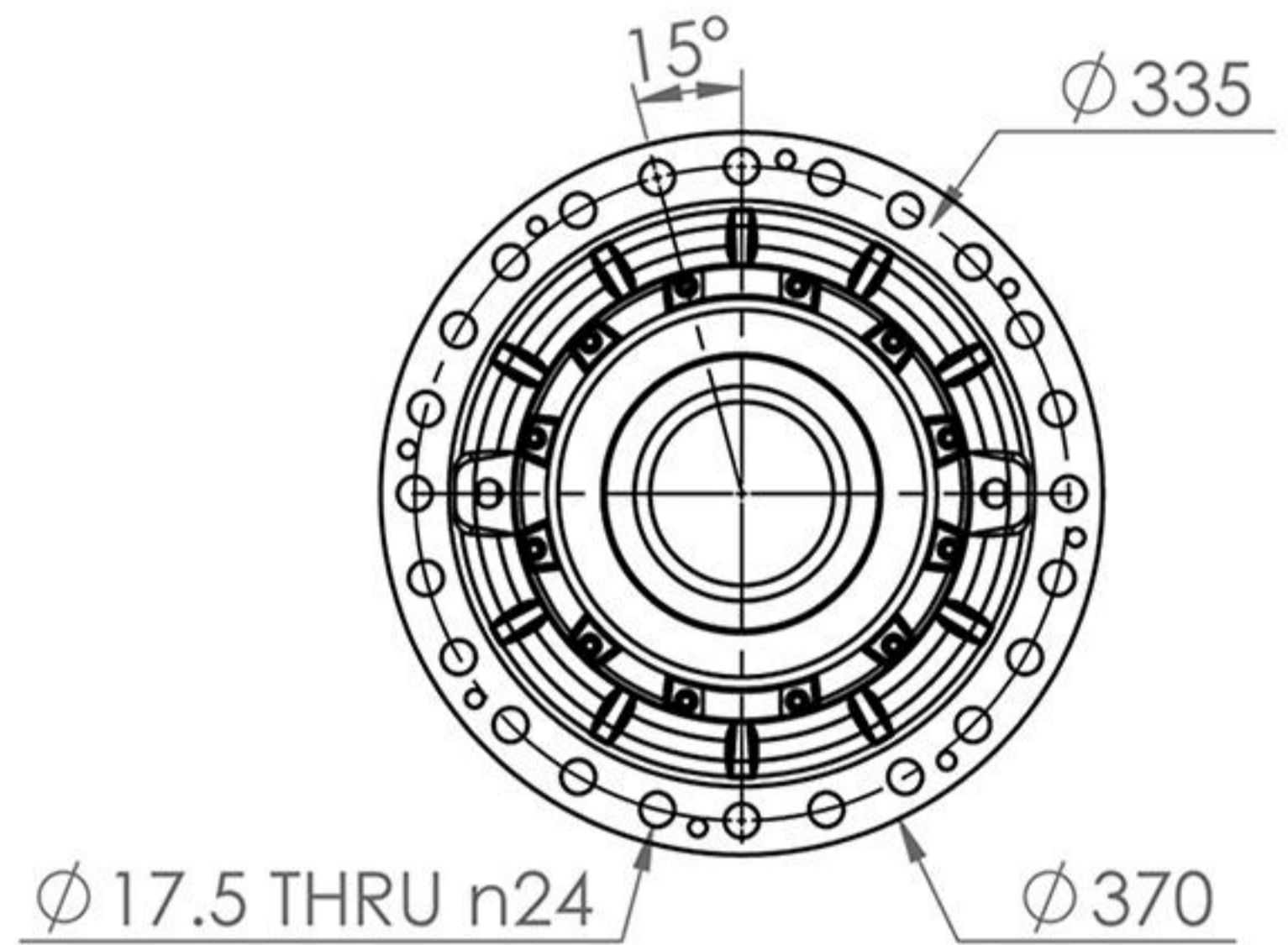
L	i	T2 [Nm]						n1 max	T2 max	pt
		n2*h								
	1/...	10000	25000	50000	100000	500000	1000000	[min]	[Nm]	[KW]
		(10)4	(2.5*10)4	(5*10)4	(10)5	(5*10)5	(10)6			
L4	352.60	29700	27600	25000	22500	19300	15600	1400	35500	7.5
	381.84	29700	27600	25000	22500	19300	15600			
	409.02	29700	27600	25000	22500	19300	15600			
	421.06	29700	27600	25000	22500	19300	15600			
	442.93	29700	27600	25000	22500	19300	15600			
	466.12	29700	27600	25000	22500	19300	15600			
	495.36	29700	27600	25000	22500	19300	15600			
	534.58	29700	27600	25000	22500	19300	15600			
	540.70	29700	27600	25000	22500	19300	15600			
	592.95	29700	27600	25000	22500	19300	15600			
	619.20	29700	27600	25000	22500	19300	15600			
	630.14	29700	27600	25000	22500	19300	15600			
	652.57	29700	27600	25000	22500	19300	15600			
	680.03	29700	27600	25000	22500	19300	15600			
	687.82	29700	27600	25000	22500	19300	15600			
	698.20	26000	23000	20000	18600	17000	15400			
	718.27	29700	27600	25000	22500	19300	15600			
	787.68	29700	27600	25000	22500	19300	15600			
	830.13	29700	27600	25000	22500	19300	15600			
	866.88	29700	27600	25000	22500	19300	15600			
913.71	29700	27600	25000	22500	19300	15600				
924.48	29700	27600	25000	22500	19300	15600				
977.47	26000	23000	20000	18600	17000	15400				
1020.75	26000	23000	20000	18600	17000	15400				
1072.40	29700	27600	25000	22500	19300	15600				
1102.75	29700	27600	25000	22500	19300	15600				
1262.75	26000	23000	20000	18600	17000	15400				
1294.27	29700	27600	25000	22500	19300	15600				
1298.49	26000	23000	20000	18600	17000	15400				
1336.30	20000	16500	14650	14000	12600	12100				
1524.01	26000	23000	20000	18600	17000	15400				
1612.77	20000	16500	14650	14000	12600	12100				



SH 2500



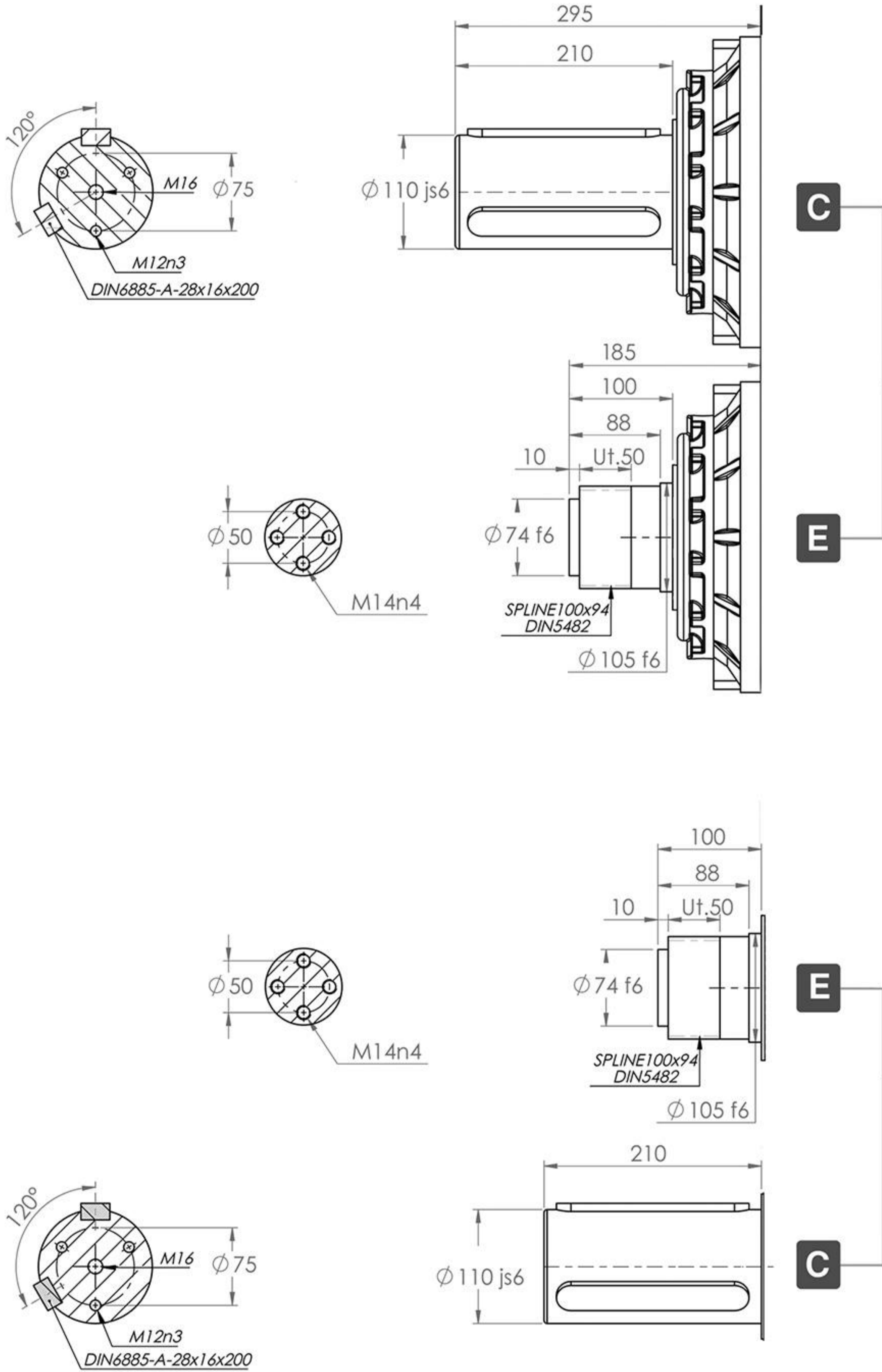
Output Flange Dimensions

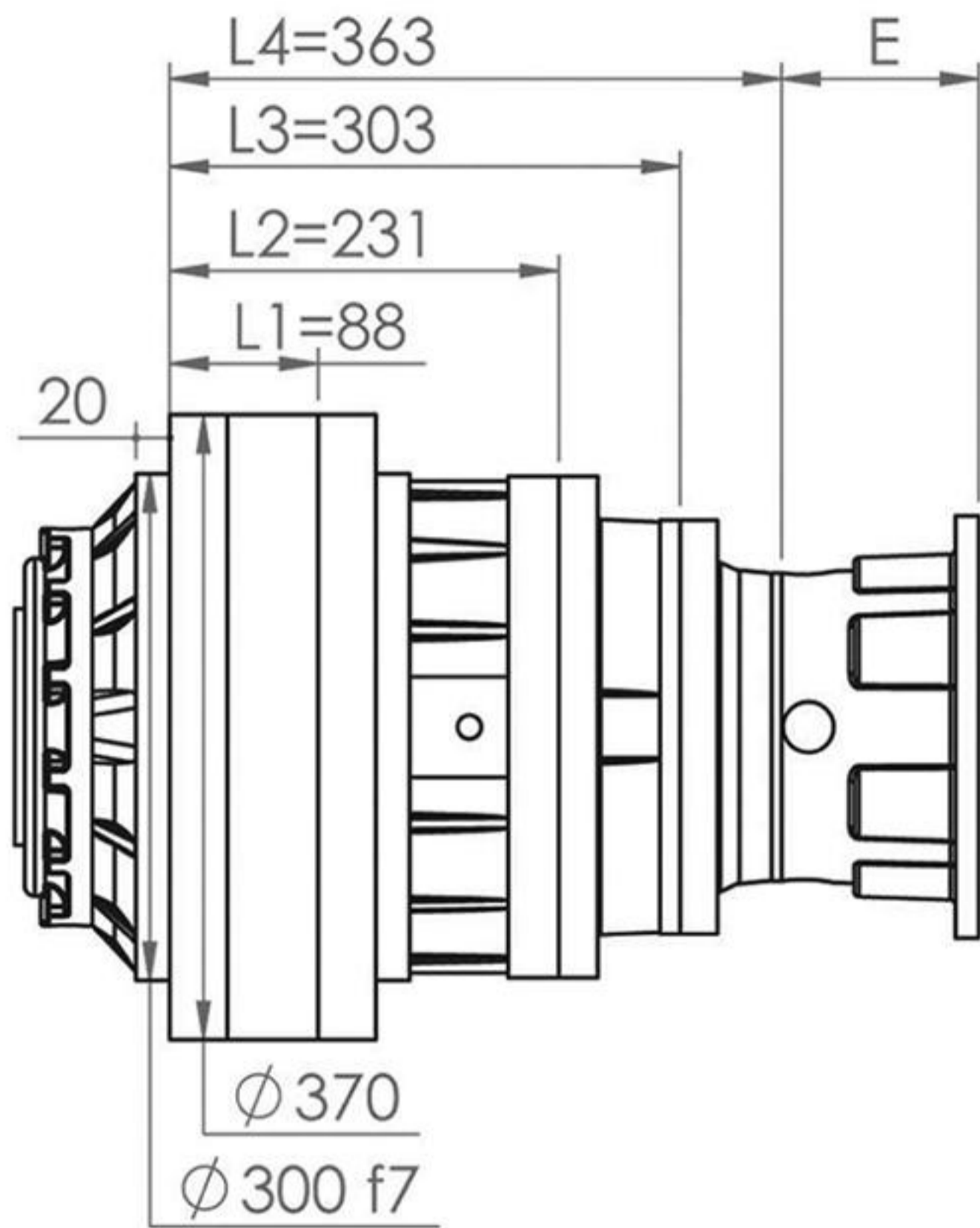


MOTOR FRAME	100LA	100LB	112M	132MA	132MB	160LA	160LB	180M	180L	200L	225S	225M
L2	-	-	-	-	-	-	-	-	-	177	207	207
E	L3	-	-	-	144	177	177	177	177	177	-	-
L4	117	117	117	132	132	-	-	-	-	-	-	-

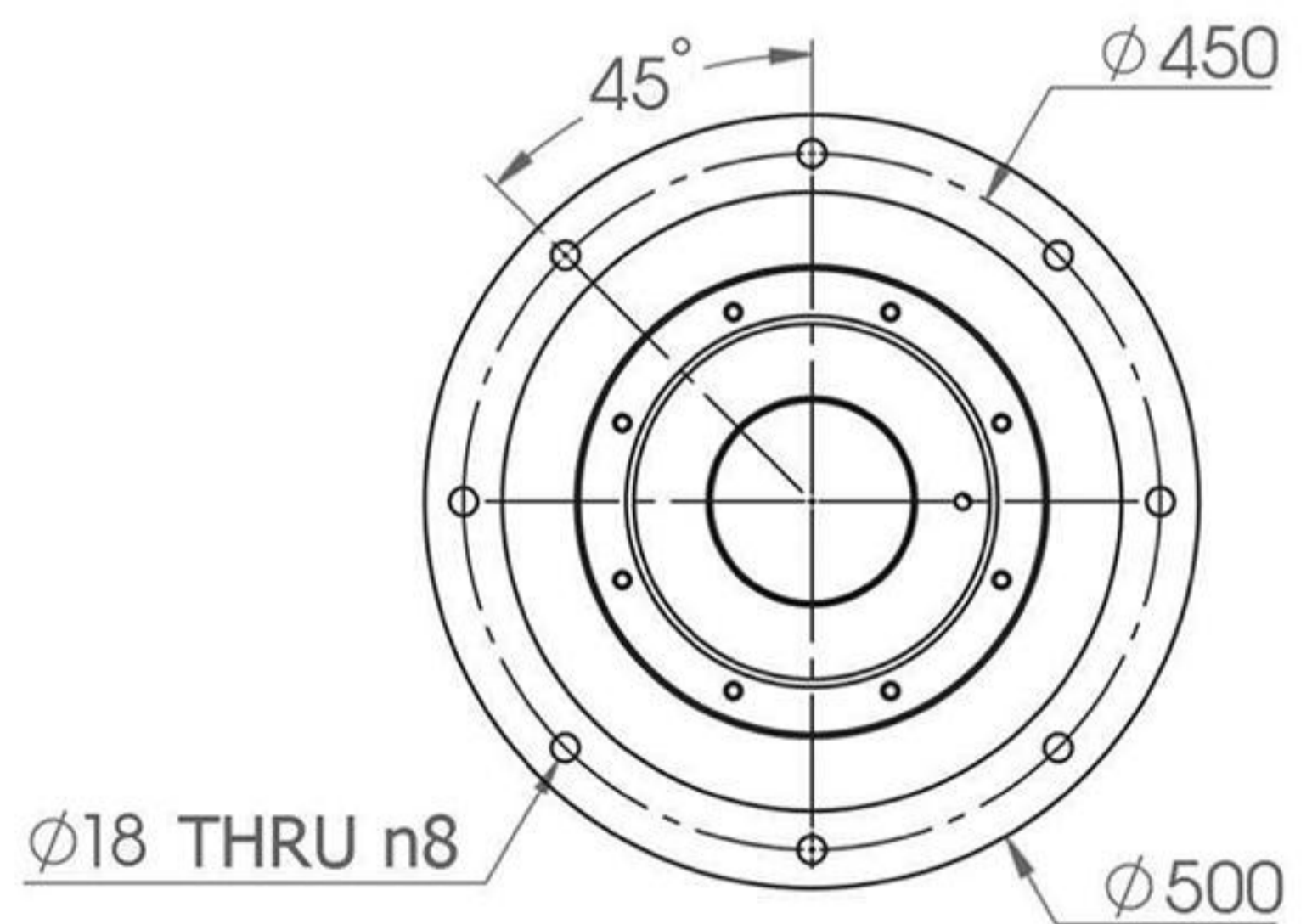
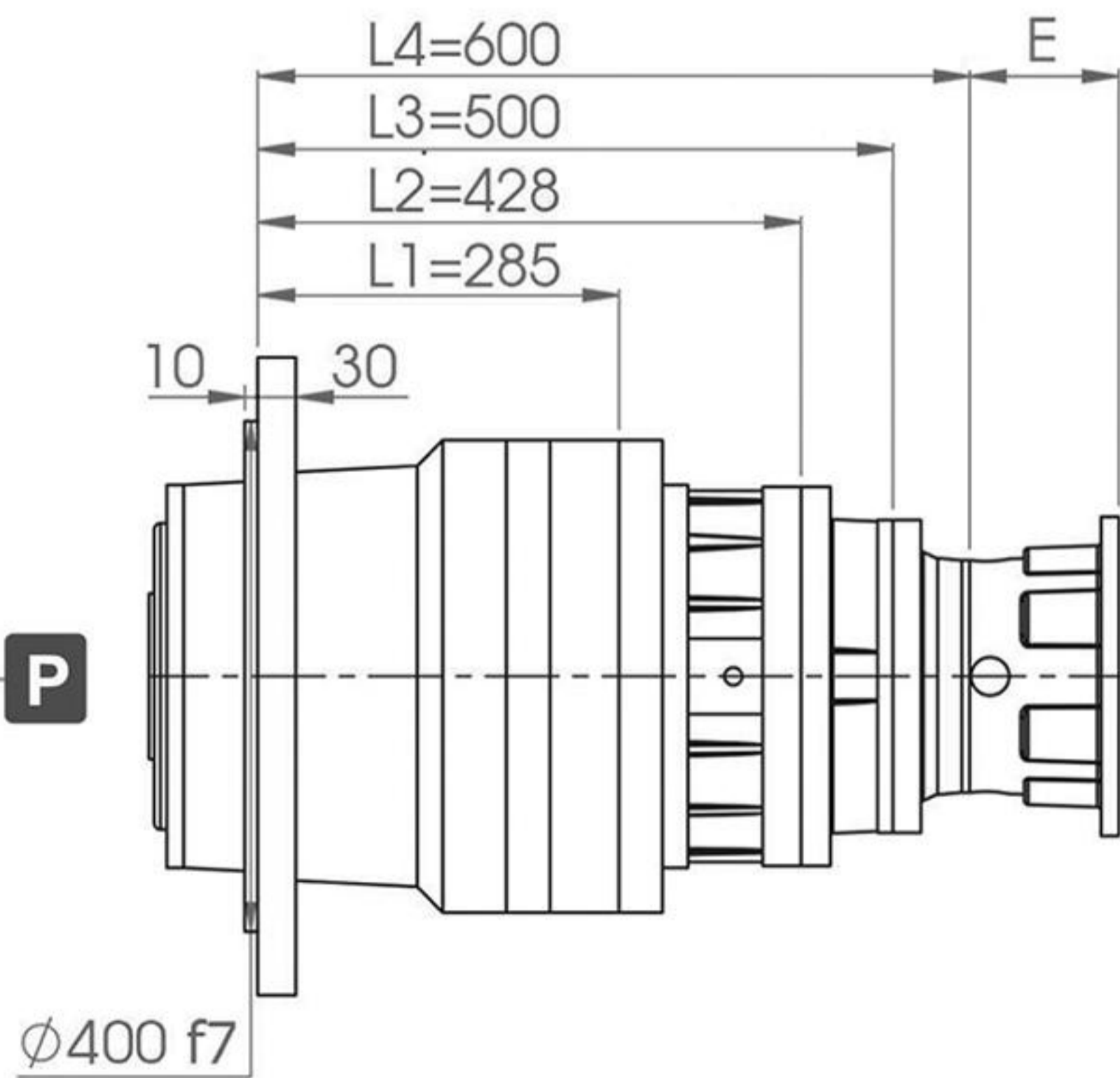
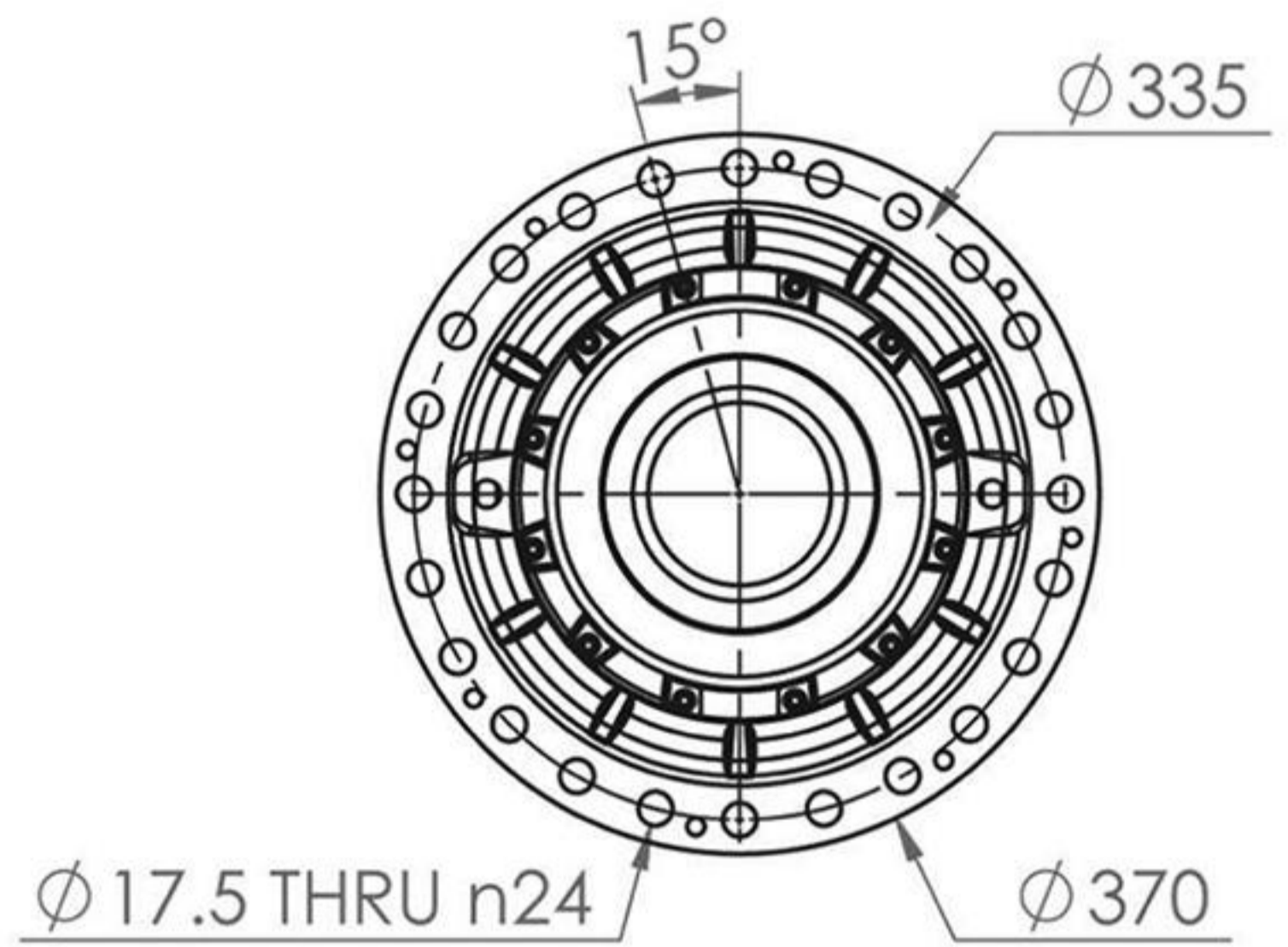


SH 2500



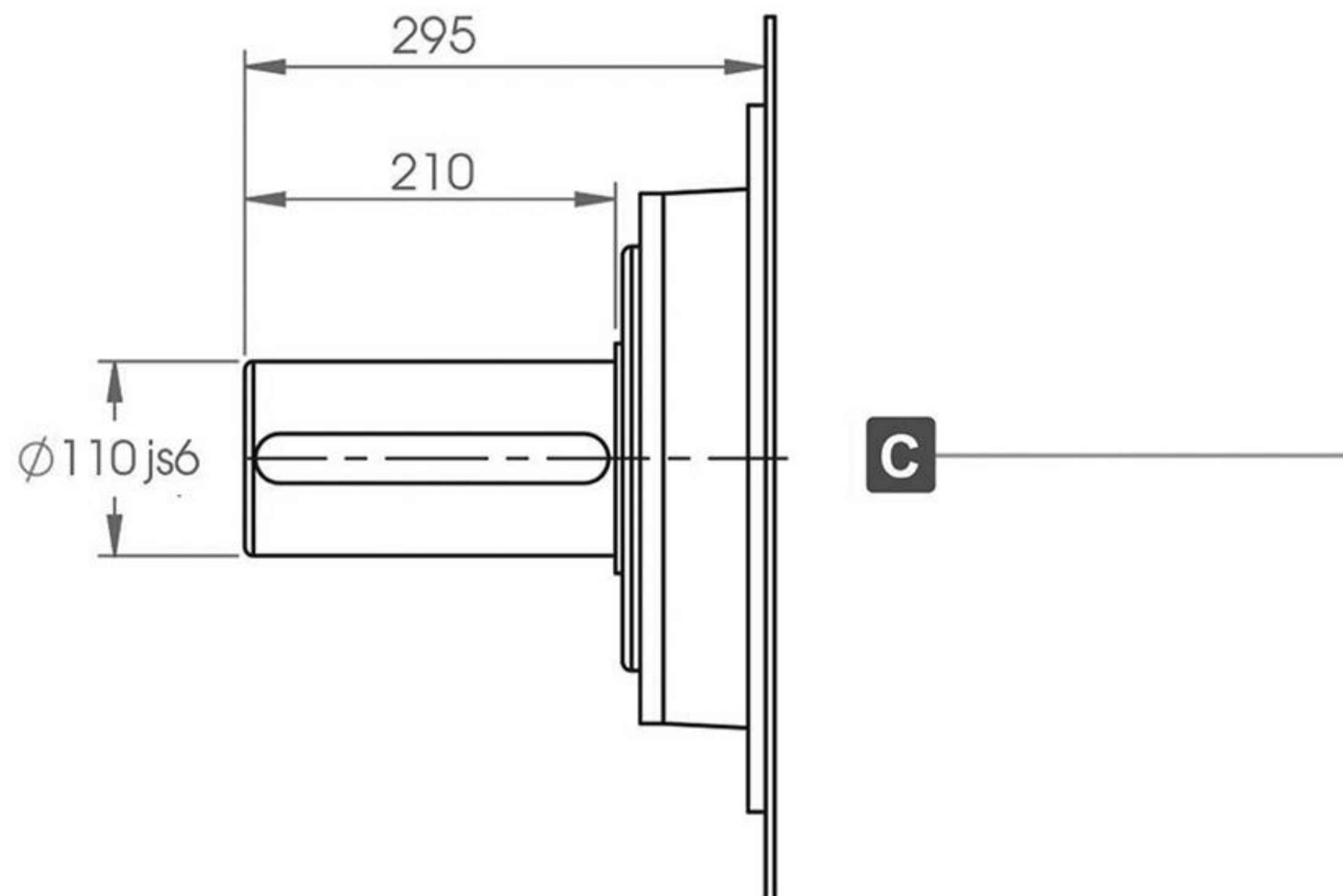
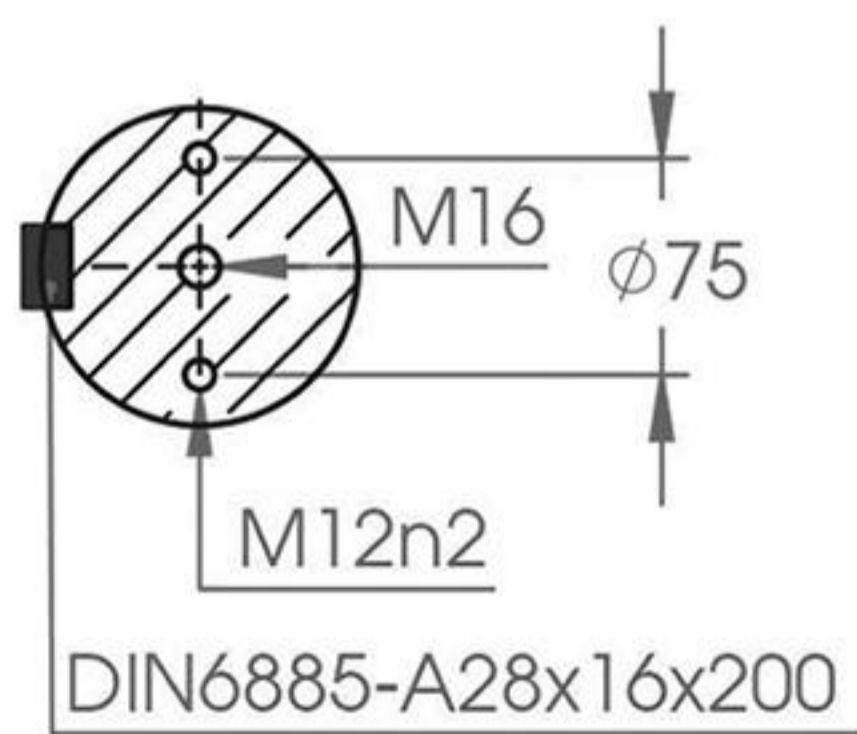
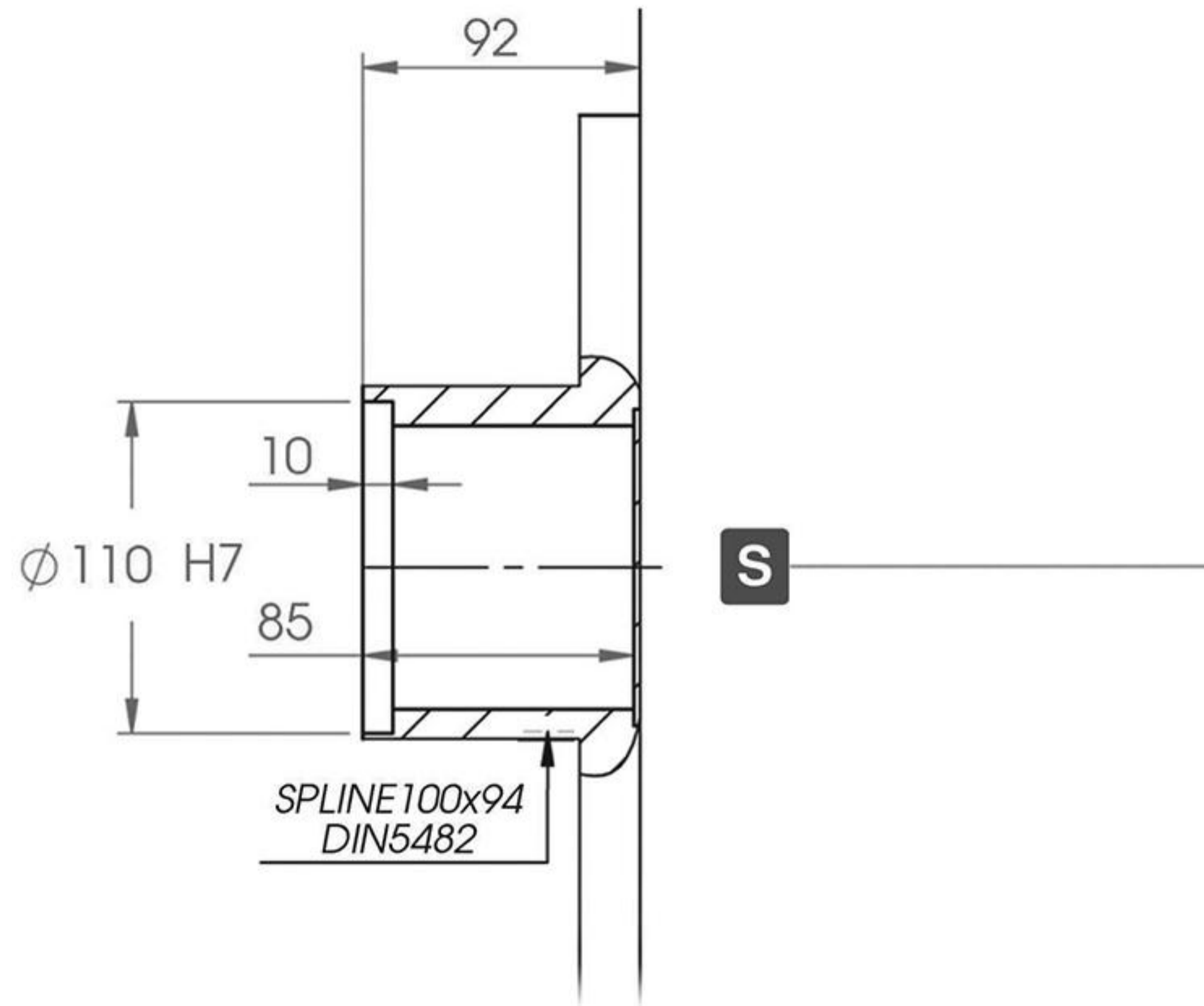


Output Flange Dimensions



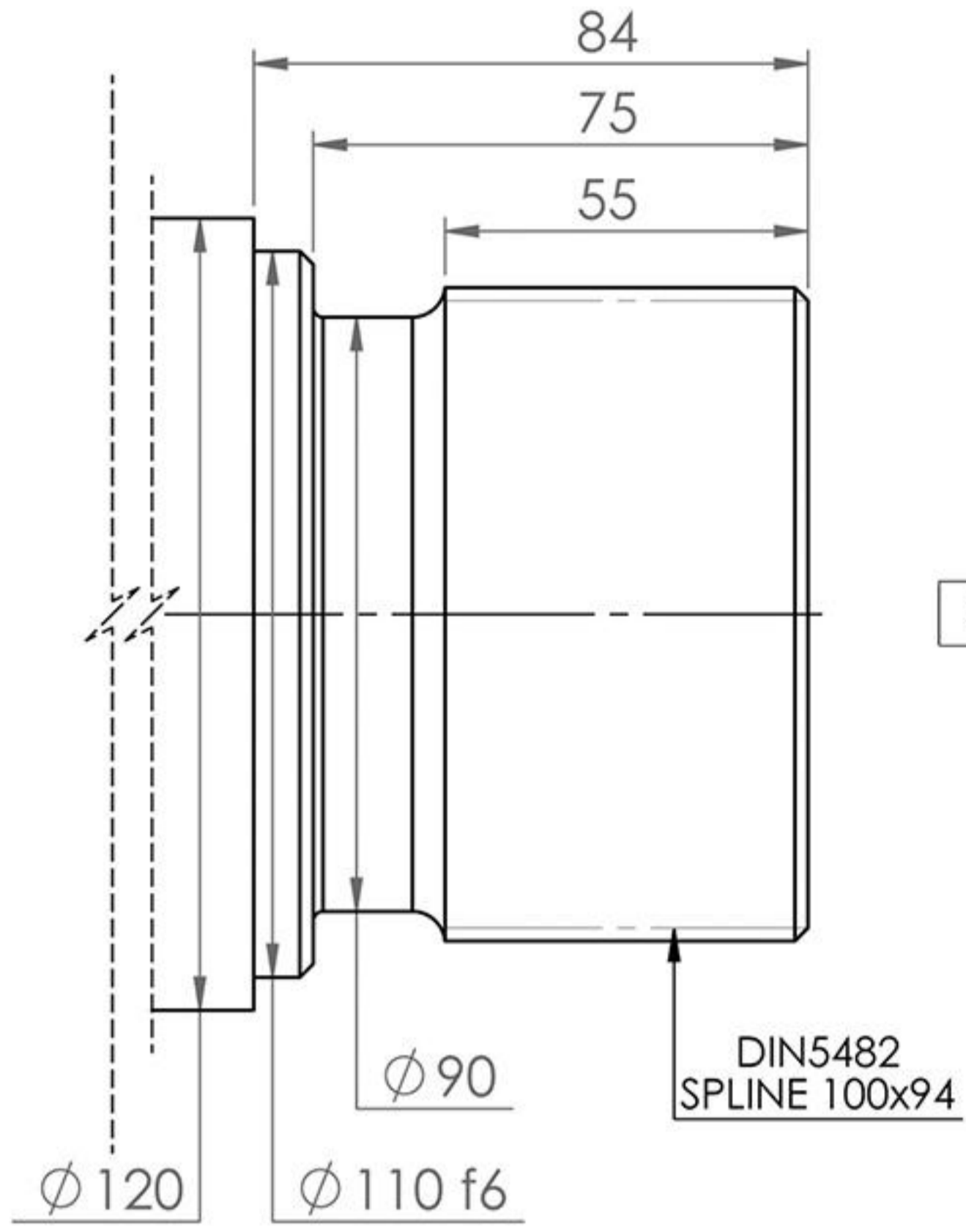


SH 2500



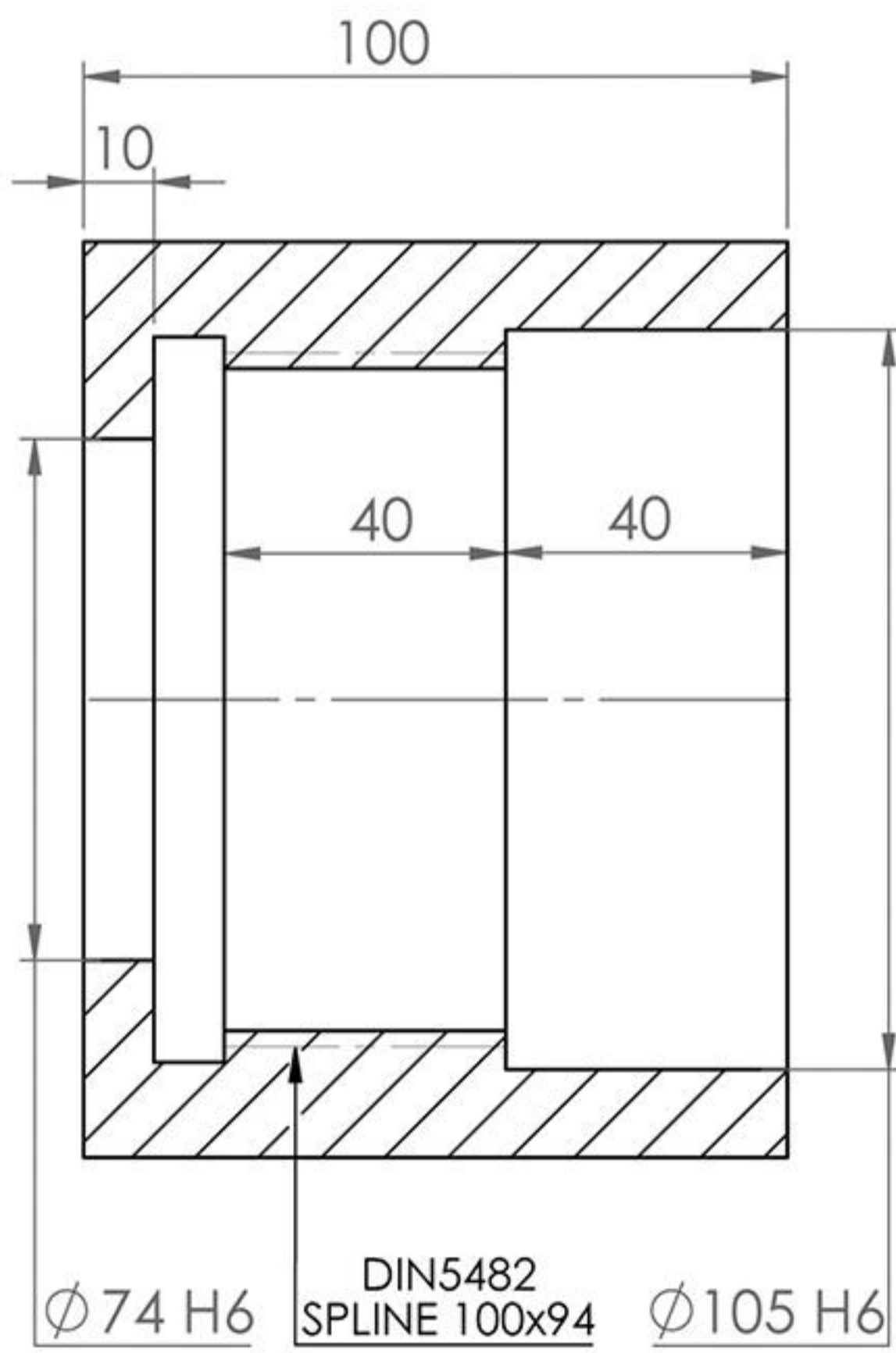
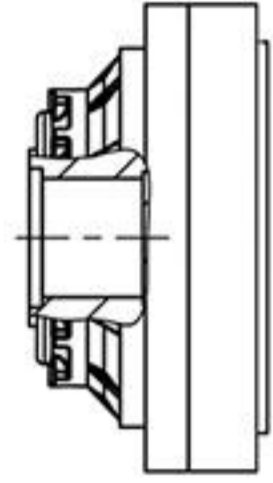


SH 2500



Shaft S(E)2500

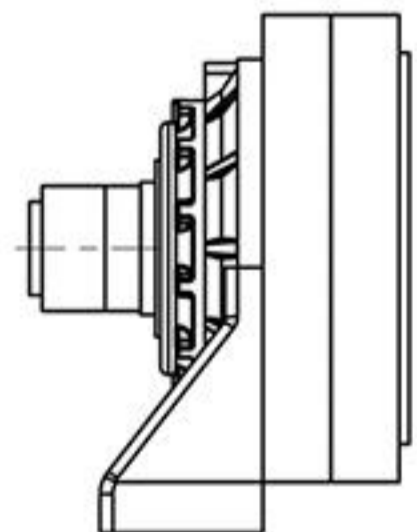
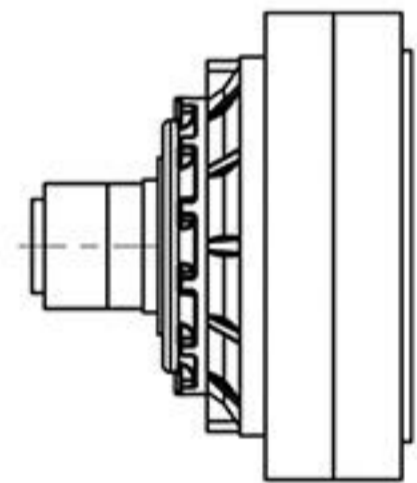
SH 2500 ... FS



Bush S(I)2500

SH 2500 ... ME

SH 2500 ... UE

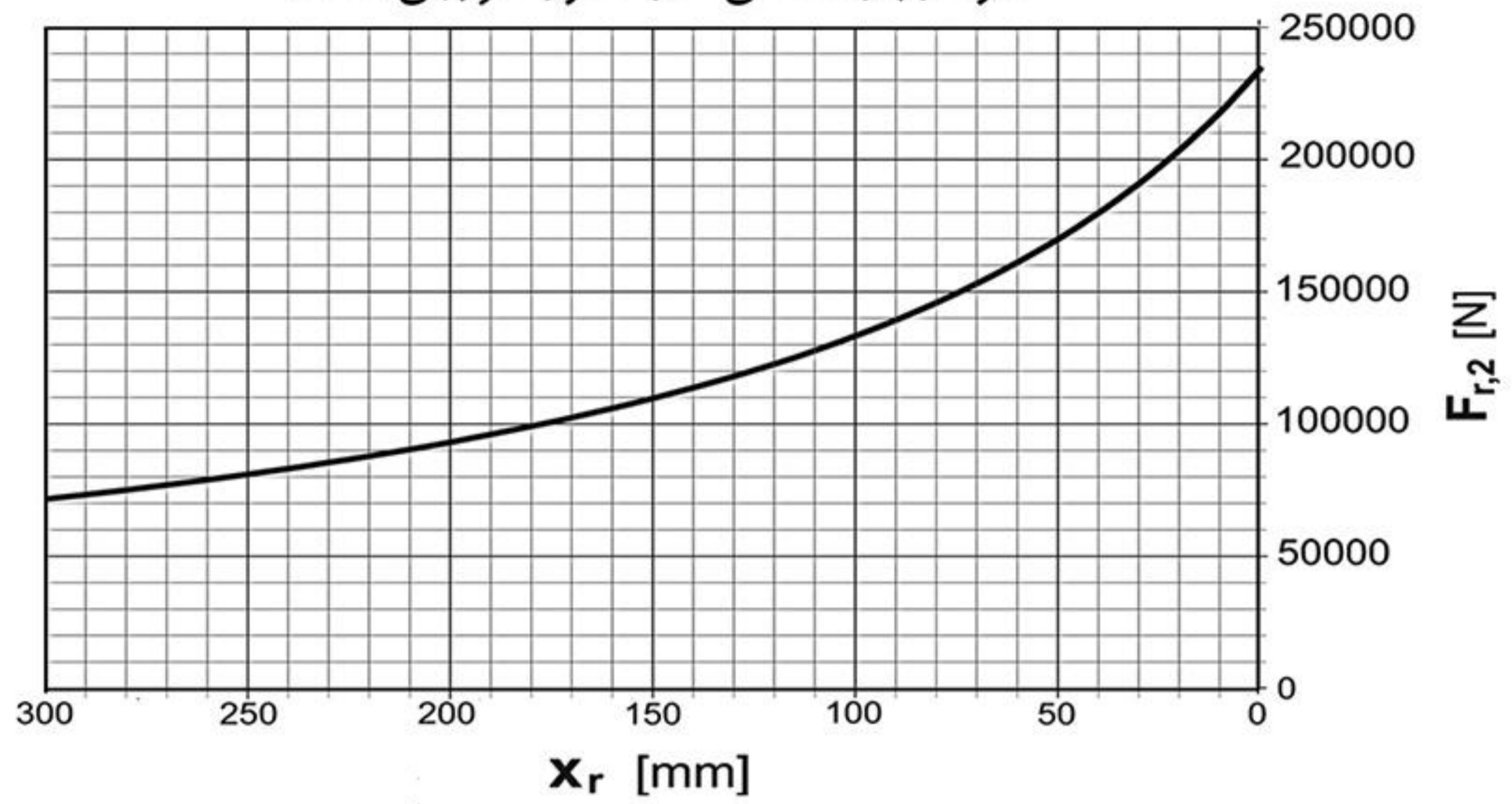
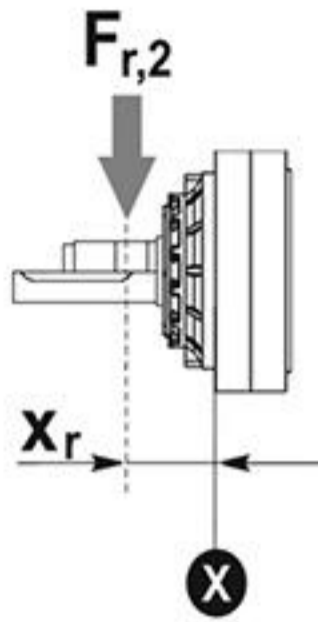




SH 2500

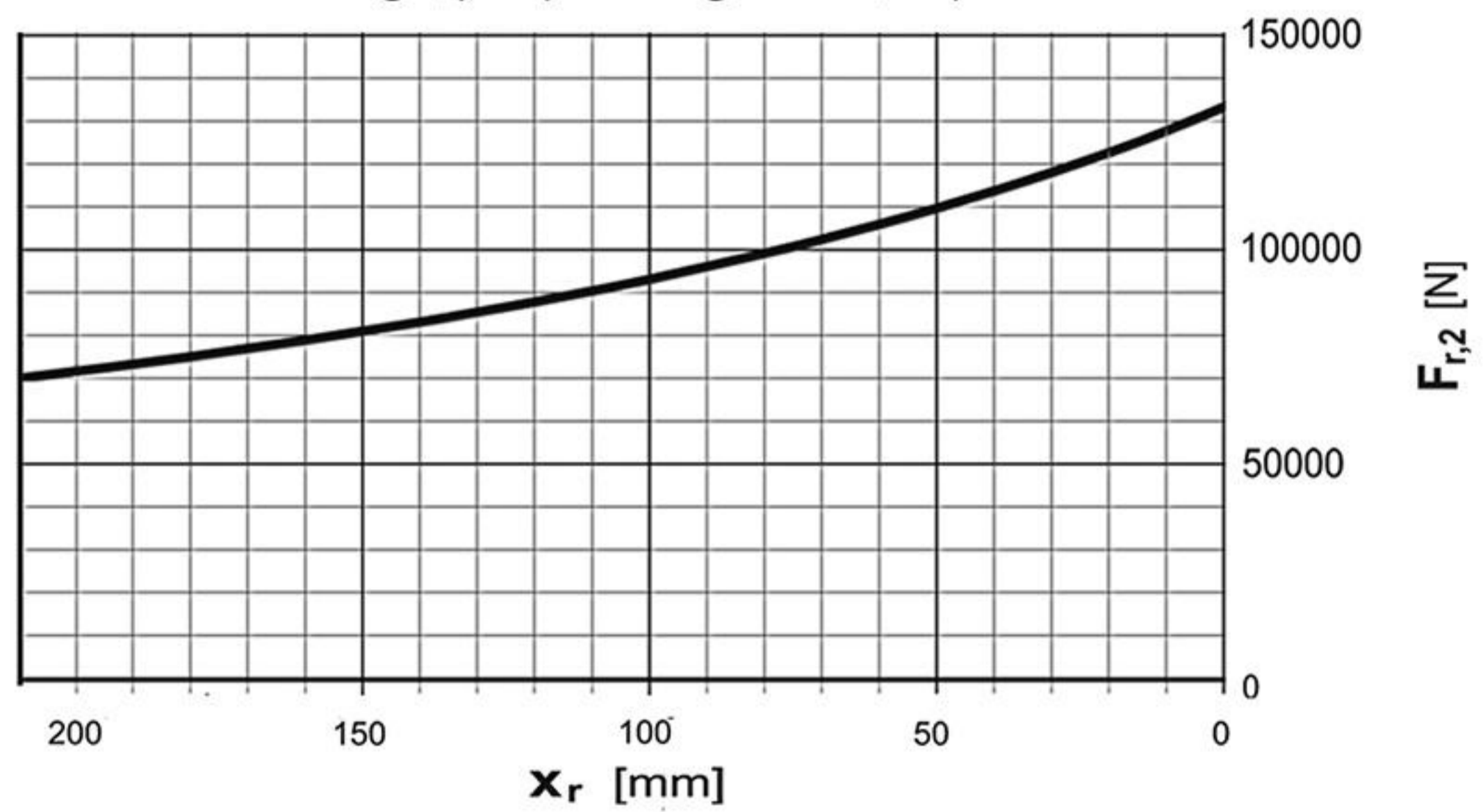
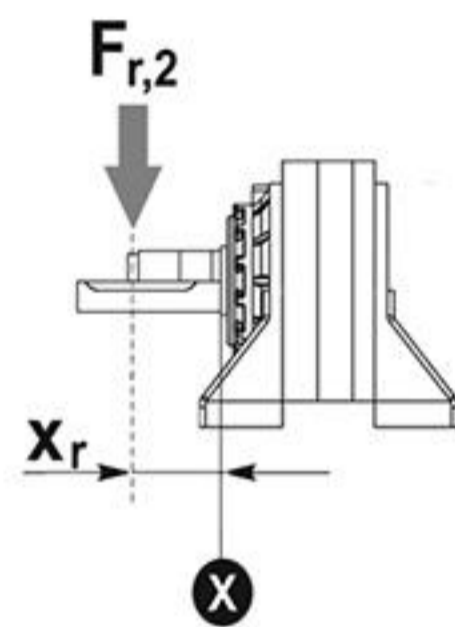
نمودار بار شعاعی در محور خروجی (Fr.2)

SH	2500	..	MC ME
----	------	----	----------



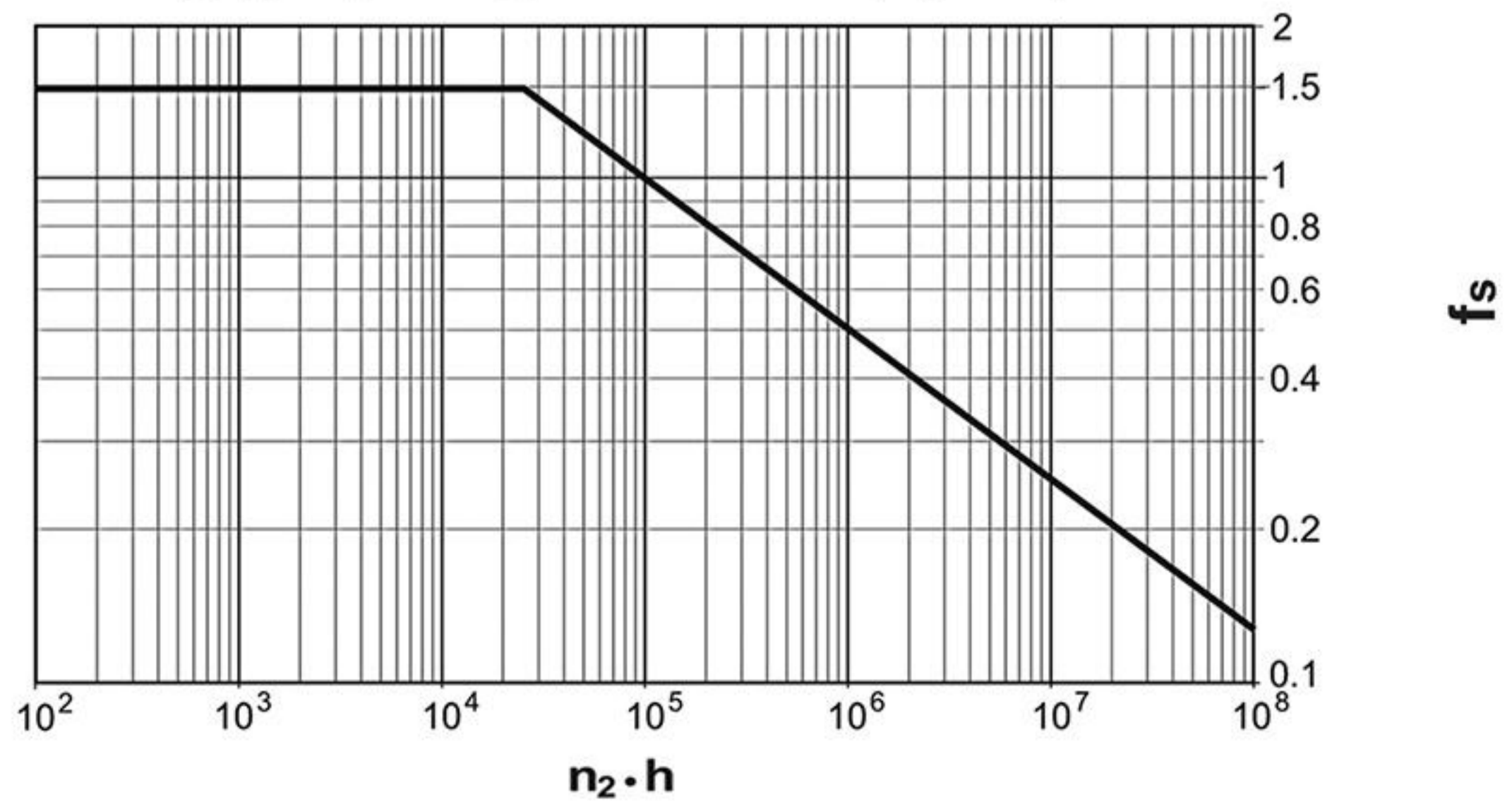
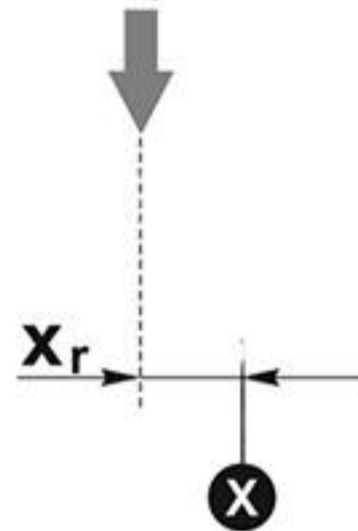
نمودار بار شعاعی در محور خروجی (Fr.2)

SH	2500	..	UC UE
----	------	----	----------



نمودار ضریب اطمینان بار شعاعی در محور خروجی

بار شعاعی اصلاح شده $F_{r,2}(f_s)$



بار شعاعی اصلاح شده $F_{r,2}(f_s) = F_{r,2} \times f_s$