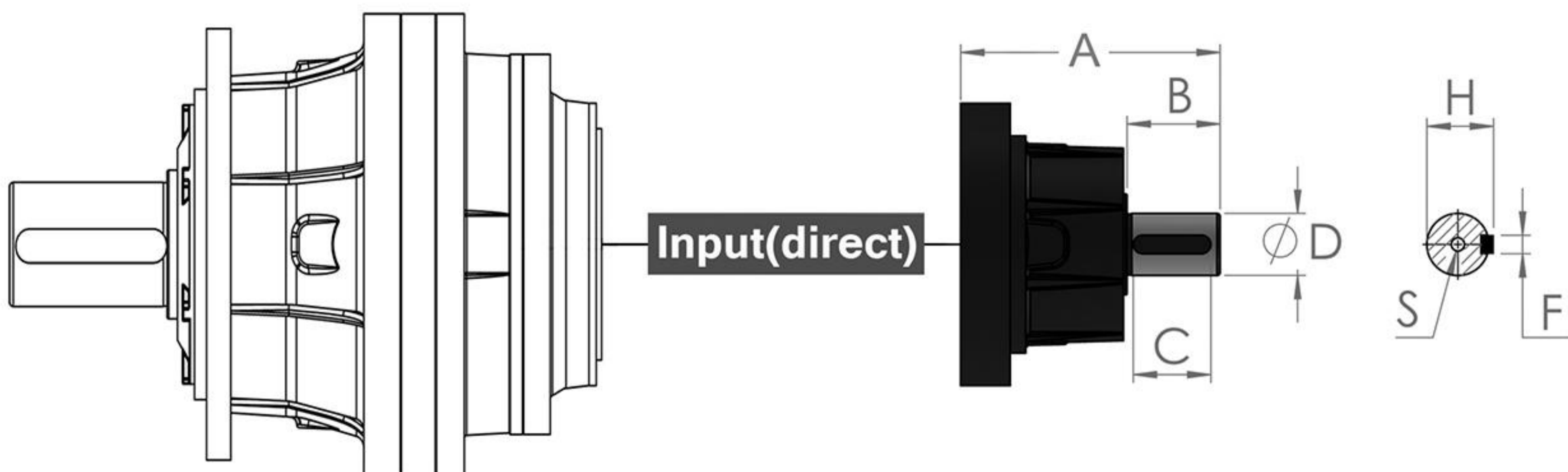




■ Input male shaft(direct)

■ اندازه ورودی شافت (مستقیم)

type	A	B	C	D	F	H	S
65L1	133	45	40	∅ 28	8	31	M10
65L2	133	45	40	∅ 28	8	31	M10
105L1	168	60	50	∅ 40	12	43	M10
105L2	133	45	40	∅ 28	8	31	M10
105L3	133	45	40	∅ 28	8	31	M10
210L1	168	60	50	∅ 40	12	43	M10
210L2	133	45	40	∅ 28	8	31	M10
210L3	133	45	40	∅ 28	8	31	M10
310L1	218	80	60	∅ 50	16	54	M16
310L2	168	60	50	∅ 40	12	43	M10
310L3	133	45	40	∅ 28	8	31	M10
310L4	133	45	40	∅ 28	8	31	M10
510L1	218	80	60	∅ 50	16	54	M16
510L2	218	80	60	∅ 50	16	54	M16
510L3	168	60	50	∅ 40	12	43	M10
510L4	133	45	40	∅ 28	8	31	M10
710L1	218	80	60	∅ 50	16	54	M16
710L2	218	80	60	∅ 50	16	54	M16
710L3	168	60	50	∅ 40	12	43	M10
710L4	133	45	40	∅ 28	8	31	M10
810L1	295	100	80	∅ 60	18	64	M16
810L2	218	80	60	∅ 50	16	54	M16
810L3	168	60	50	∅ 40	12	43	M10
810L4	133	45	40	∅ 28	8	31	M10

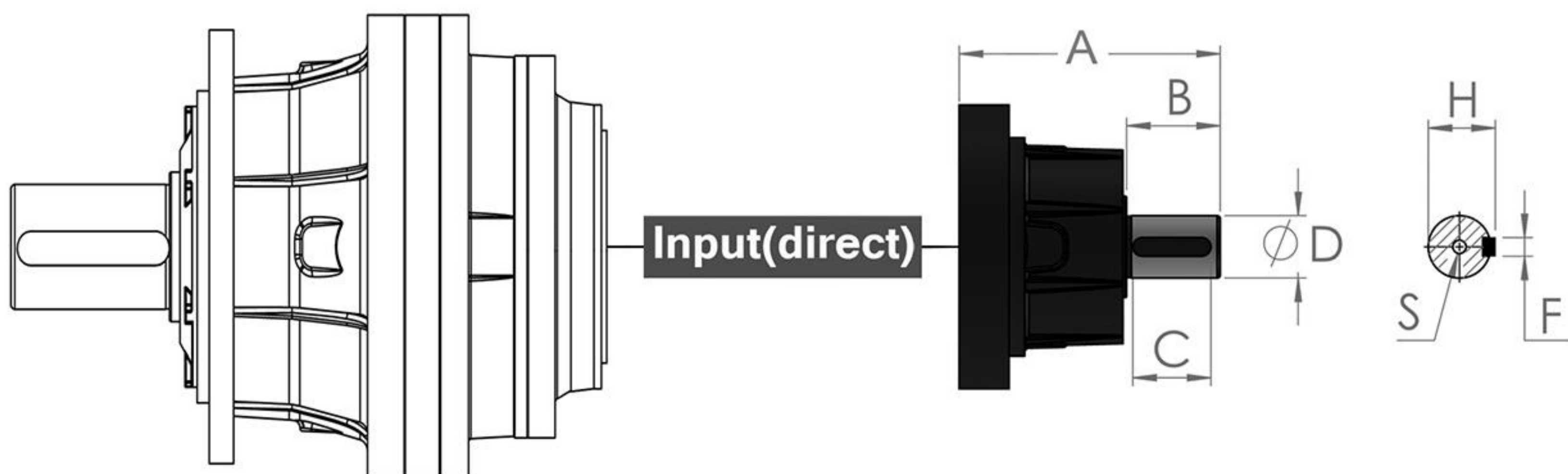




■ Input male shaft(direct)

■ اندازه ورودی شافت (مستقیم)

type	A	B	C	D	F	H	S
1010L1	310	100	80	∅70	20	74.5	M16
1010L2	218	83	60	∅50	16	54	M16
1010L3	168	60	50	∅40	12	43	M10
1010L4	133	45	40	∅28	8	31	M10
1500L1	-	-	-	-	-	-	-
1500L2	218	80	60	∅50	16	54	M16
1500L3	168	60	50	∅40	12	43	M10
1500L4	133	45	40	∅28	8	31	M10
1700L1	315	100	80	∅70	20	74.5	M16
1700L2	218	80	60	∅50	16	54	M16
1700L3	218	80	60	∅50	16	54	M16
1700L4	168	60	50	∅40	12	43	M10
2500L1	415	130	125	∅80	22	85	M16
2500L2	295	100	80	∅60	18	64	M16
2500L3	218	80	60	∅50	16	54	M16
2500L4	168	60	50	∅40	12	43	M10
3500L1	492	175	140	∅90	25	95	M16
3500L2	310	100	80	∅70	20	74.5	M16
3500L3	218	80	60	∅50	16	54	M16
3500L4	168	60	50	∅40	12	43	M10
6500L1	506	180	150	∅100	28	106	M20
6500L2	492	175	140	∅90	25	95	M16
6500L3	310	100	80	∅70	20	74.5	M16
6500L4	218	80	60	∅50	16	54	M16
20000L2	506	180	150	∅100	28	106	M20
20000L3	492	175	140	∅90	25	95	M16
20000L4	310	100	80	∅70	20	74.5	M16



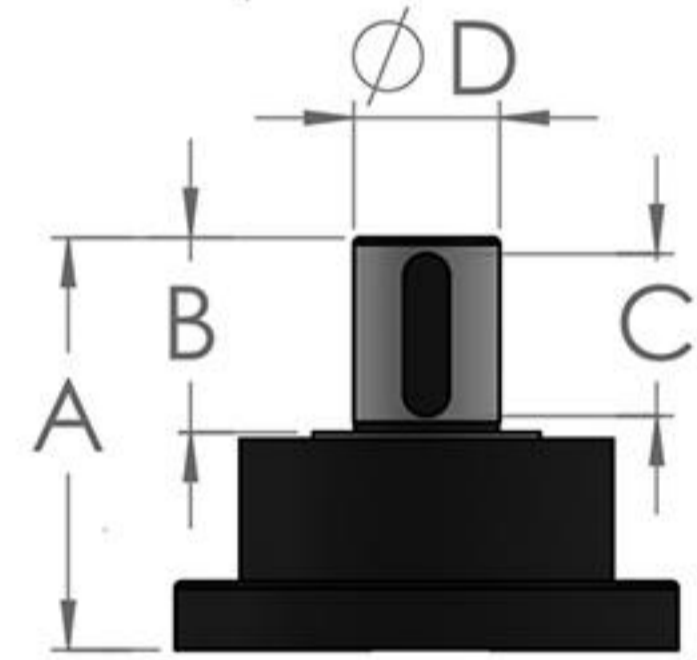
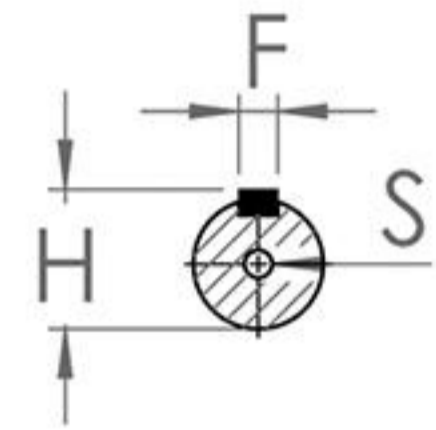




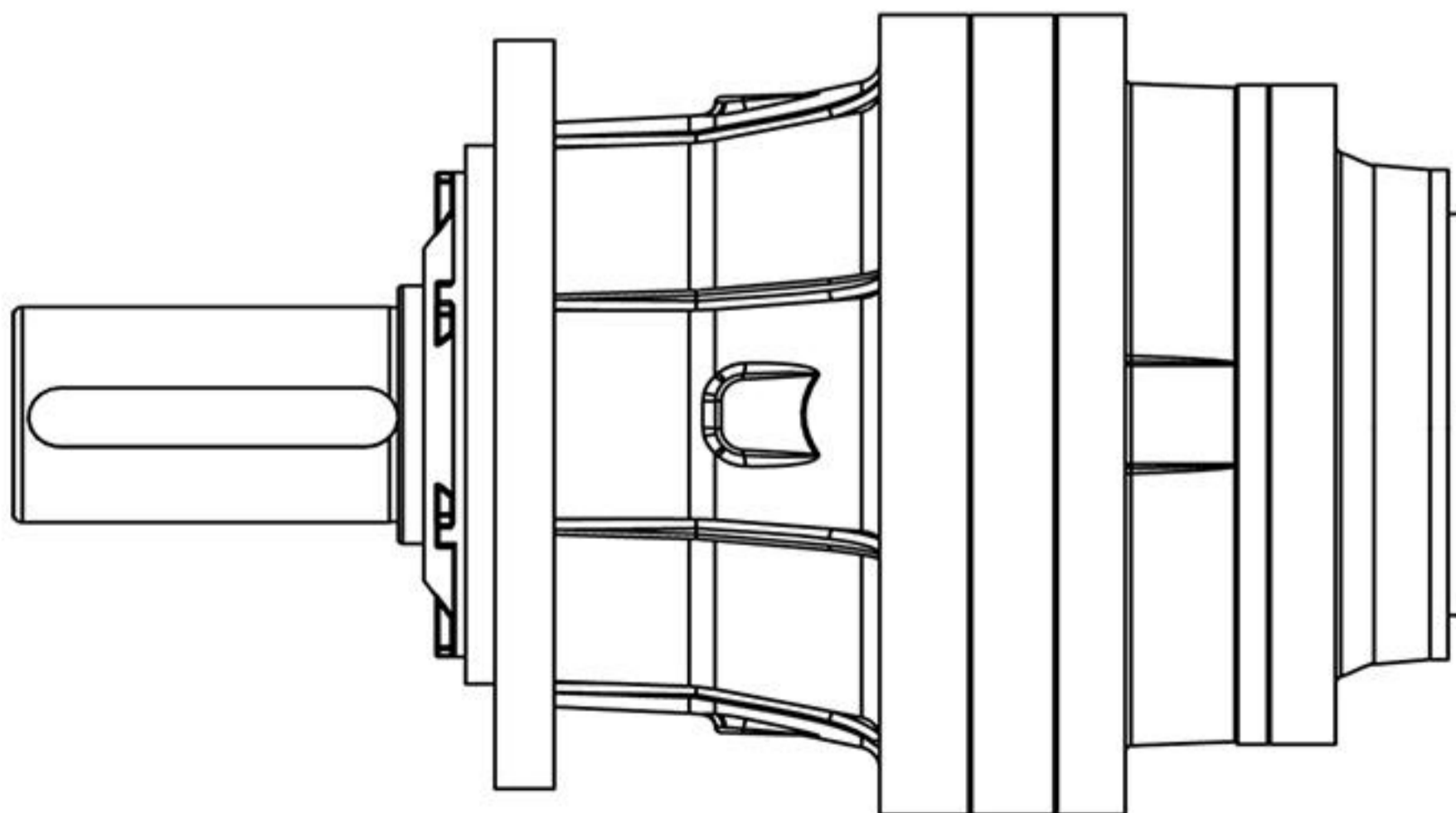
■ Input male shaft(90°)

■ اندازه ورودی شافت (90°)

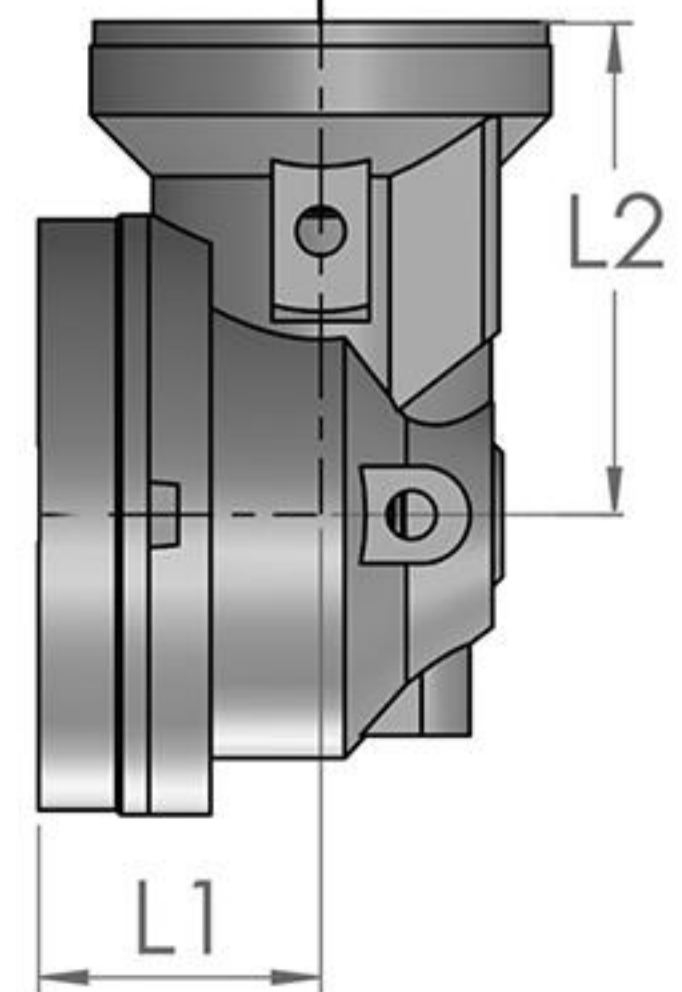
Type	90	L1	L2	A	B	C	D	F	H	S
65L1	-	-	-	-	-	-	-	-	-	-
65L2	-	-	-	-	-	-	-	-	-	-
105L1	X	87	152	122	60	50	∅45	14	48.5	M12
105L2	-	-	-	-	-	-	-	-	-	-
105L3	-	-	-	-	-	-	-	-	-	-
210L1	X	87	152	122	60	50	∅45	14	48.5	M12
210L2	X	87	152	122	60	50	∅45	14	48.5	M12
210L3	-	-	-	-	-	-	-	-	-	-
310L1	X	103	152	122	60	50	∅45	14	48.5	M12
310L1	Y	133	202	152	80	70	∅50	14	53.5	M16
310L2	X	87	152	122	60	50	∅45	14	48.5	M12
310L3	-	-	-	-	-	-	-	-	-	-
310L4	-	-	-	-	-	-	-	-	-	-
510L1	X	118	152	122	60	50	∅45	14	48.5	M12
510L1	Y	133	202	152	80	70	∅50	14	53.5	M16
510L2	X	103	152	122	60	50	∅45	14	48.5	M12
510L2	Y	133	202	152	80	70	∅50	14	53.5	M16
510L3	X	87	152	122	60	50	∅45	14	48.5	M12
510L4	-	-	-	-	-	-	-	-	-	-
710L1	X	118	152	122	60	50	∅45	14	48.5	M12
710L1	Y	133	202	152	80	70	∅50	14	53.5	M16
710L2	X	103	152	122	60	50	∅45	14	48.5	M12
710L2	Y	133	202	152	80	70	∅50	14	53.5	M16
710L3	X	87	152	122	60	50	∅45	14	48.5	M12
710L4	-	-	-	-	-	-	-	-	-	-
810L1	Y	138	202	152	80	70	∅50	14	53.5	M16
810L1	Z	210	245	218	100	80	∅70	20	74.5	M16
810L2	X	103	152	122	60	50	∅45	14	48.5	M12
810L2	Y	133	202	152	80	70	∅50	14	53.5	M16
810L3	X	87	152	122	60	50	∅45	14	48.5	M12
810L4	-	-	-	-	-	-	-	-	-	-
1010L1	Y	217	202	152	80	70	∅50	14	53.5	M16
1010L1	Z	221	245	218	100	80	∅70	20	74.5	M16
1010L2	X	103	152	122	60	50	∅45	14	48.5	M12
1010L2	Y	133	202	152	80	70	∅50	14	53.5	M16
1010L3	X	87	152	122	60	50	∅45	14	48.5	M12
1010L4	-	-	-	-	-	-	-	-	-	-



Input 90°



90°

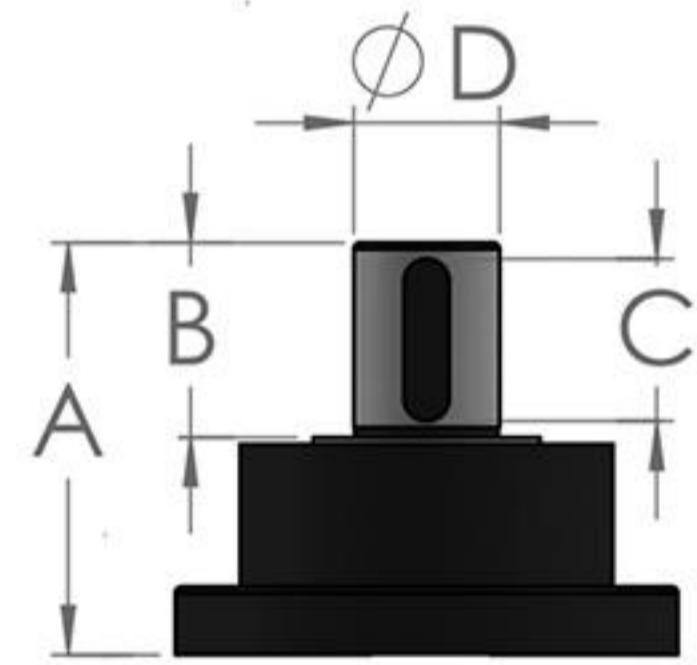
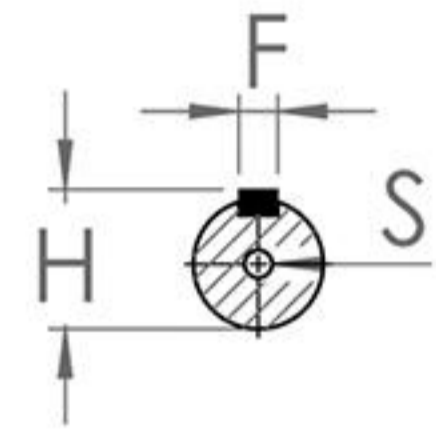




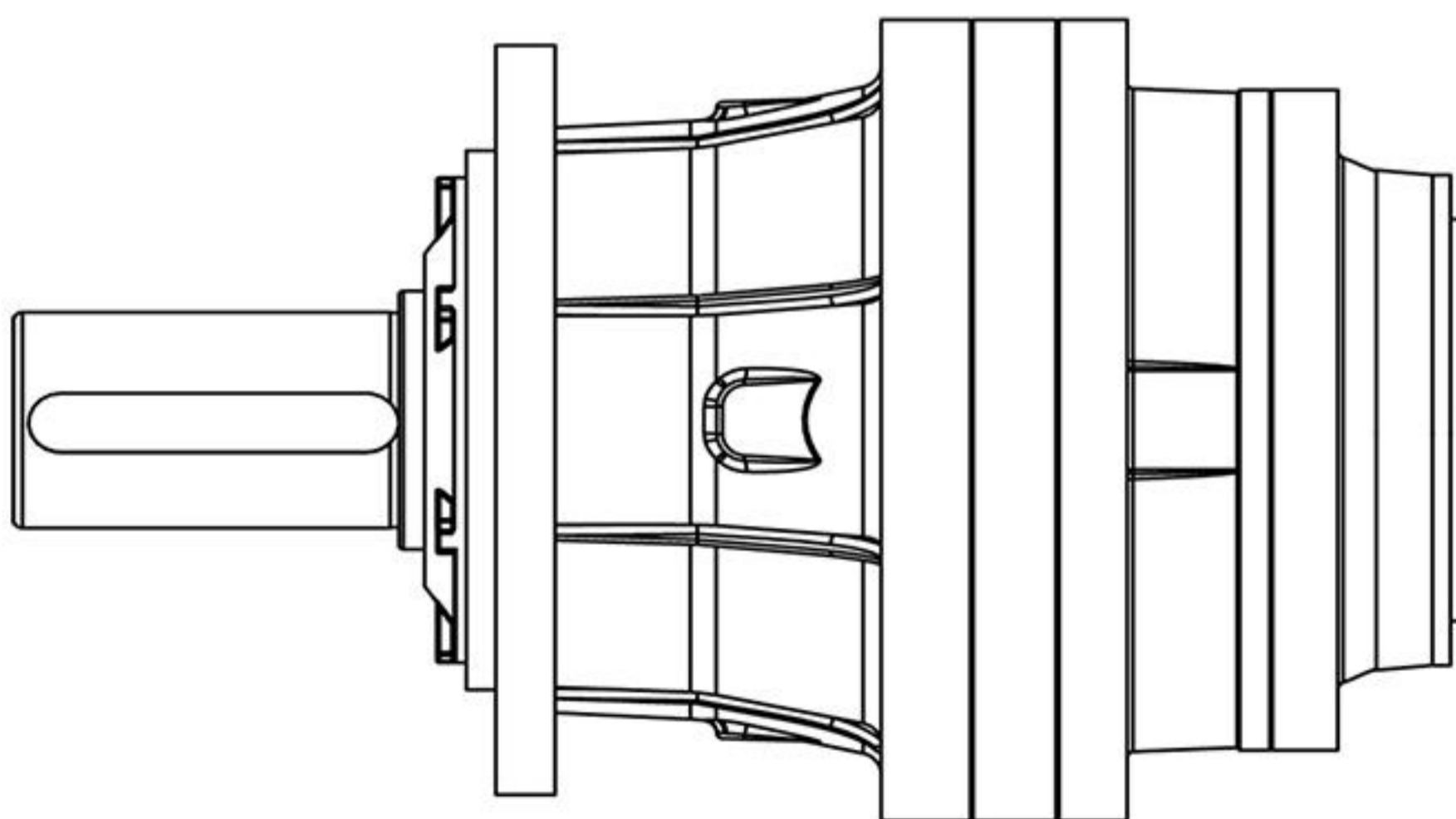
Input male shaft(90°)

اندازه ورودی شافت (90°)

Type	90	L1	L2	A	B	C	D	F	H	S
1500L1	Y	154	202	152	80	70	∅50	14	53.5	M16
1500L1	Z	-	245	218	100	80	∅70	20	74.5	M16
1500L2	X	103	152	122	60	50	∅45	14	48.5	M12
1500L2	Y	133	202	152	80	70	∅50	14	53.5	M16
1500L3	X	87	152	122	60	50	∅45	14	48.5	M12
1500L4	-	-	-	-	-	-	-	-	-	-
1700L1	Y	225	202	152	80	70	∅50	14	53.5	M16
1700L1	Z	-	245	218	100	80	∅70	20	74.5	M16
1700L2	X	118	152	122	60	50	∅45	14	48.5	M12
1700L2	Y	133	202	152	80	70	∅50	14	53.5	M16
1700L3	X	103	152	122	60	50	∅45	14	48.5	M12
1700L3	Y	133	202	152	80	70	∅50	14	53.5	M16
1700L4	X	87	152	122	60	50	∅45	14	48.5	M12
2500L1	Z	142	245	218	100	80	∅70	20	74.5	M16
2500L2	Y	138	202	152	80	70	∅50	14	53.5	M16
2500L2	Z	210	245	218	100	80	∅70	20	74.5	M16
2500L3	X	103	152	122	60	50	∅45	14	48.5	M12
2500L3	Y	133	202	152	80	70	∅50	14	53.5	M16
2500L4	X	87	152	122	60	50	∅45	14	48.5	M12
3500L1	Z	142	245	218	100	80	∅70	20	74.5	M16
3500L2	Y	217	202	152	80	70	∅50	14	53.5	M16
3500L2	Z	221	245	218	100	80	∅70	20	74.5	M16
3500L3	X	103	152	122	60	50	∅45	14	48.5	M12
3500L3	Y	133	202	152	80	70	∅50	14	53.5	M16
3500L4	X	87	152	122	60	50	∅45	14	48.5	M12
6500L1	-	-	-	-	-	-	-	-	-	-
6500L2	Z	142	245	218	100	80	∅70	20	74.5	M16
6500L3	Y	217	202	152	80	70	∅50	14	53.5	M16
6500L3	Z	221	245	218	100	80	∅70	20	74.5	M16
6500L4	X	103	152	122	60	50	∅45	14	48.5	M12
6500L4	Y	133	202	152	80	70	∅50	14	53.5	M16
20000L2	-	-	-	-	-	-	-	-	-	-
20000L3	Z	142	245	218	100	80	∅70	20	74.5	M16
20000L4	Y	217	202	152	80	70	∅50	14	53.5	M16
20000L4	Z	221	245	218	100	80	∅70	20	74.5	M16



Input 90°



90°

